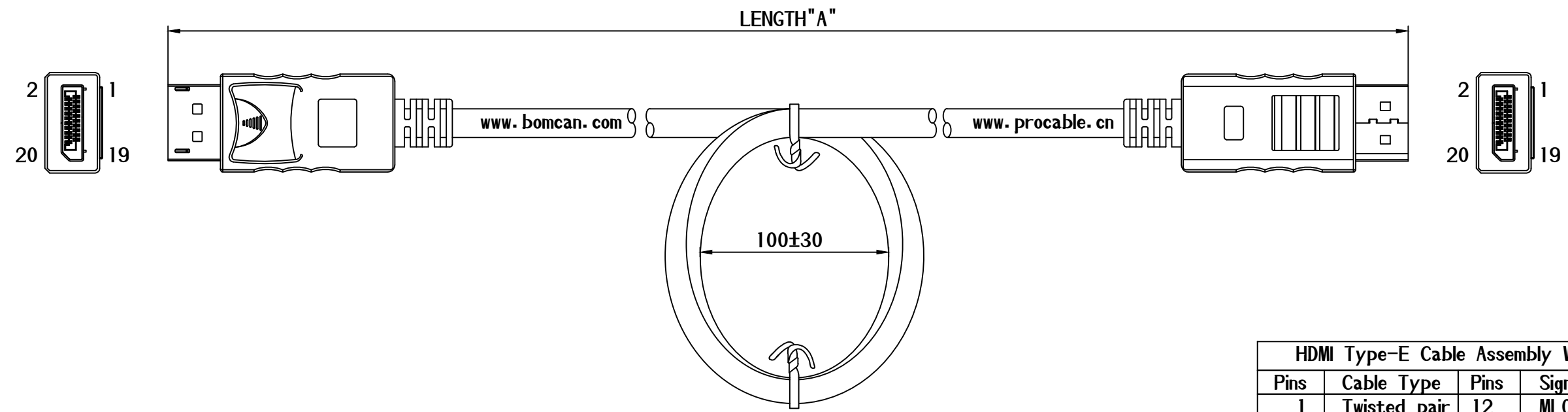


1		2		3		4		5		6		7		Customer drawing
REV	ECN NO	DESCRIPTION		DATE	APPROVED									
AA	-	NEW RELEASED		2015.09.11	CLARA									



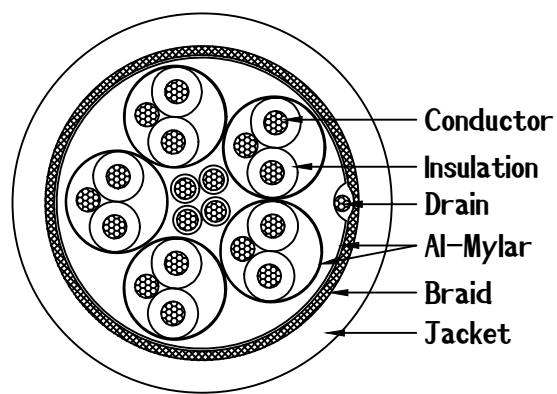
**Electrical specifications:**  
 Use of voltage range: 30V  
 Current range: 0.5A  
 Temperature range: -20°C~+80°C

**Material specifications**  
 Cable: DisplayPort Cable (30AWGx1PR+DAM)x5C+30AWGx4C+ADB, OD6.0mm, Black PVC, UL20276  
 Connector: DisplayPort Standard  
 Body Shell: Black ABS

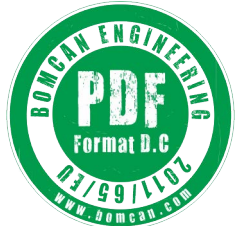
**Electrical testing of finished cable**  
 100% Open / Short / Miswiring testing  
 Insulation resistance: DC150V 10MΩ Min  
 Conductor resistance: 3Ω Max

**Manufacturer: Bomcan**

Pins	Cable Type	Pins	Signal Name
1	Twisted pair	12	ML0-
3	Twisted pair	10	ML0+
2	Drain	11	GND
4	Twisted pair	9	ML1+
6	Twisted pair	7	ML1-
5	Drain	8	GND
7	Twisted pair	6	ML2+
9	Twisted pair	4	ML2-
8	Drain	5	GND
10	Twisted pair	3	ML+
12	Twisted pair	1	ML3-
11	Drain	2	GND
15	Twisted pair	15	AUX+
17	Twisted pair	17	AUX-
16	Drain	16	GND
13	Single Wires	13	CONFIG1
14	Single Wires	14	CONFIG2
18	Single Wires	18	DETECT
19	Single Wires	19	GND
Shell	Shield	Shell	GND



Cable section view

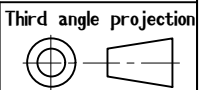


DIMENSIONS	TOLERANCE
x.	±1.0
x.x	±0.5
x.xx	±0.25
0 to 500	+15 / -0
< 501	+3%/-0 of length
ANGLES	
x°	±1°



This drawing contains information that is proprietary to BOMCAN and should not be used without written permission. Powered by bomcan.com

DESCRIPTION		Standard DisplayPort Cable Assembly			
DWG NO	DP-CABLE	BOMCAN PART No	-		
DRAWN BY	CLARA 2015.09.11	CUSTOMER P/N	-		
CHECKED BY	CALEB 2015.09.11	SIZE: A3	SHEET	UNIT	SCALE
APPROVED BY	BILL 2015.09.11	REV: AA	1 of 1	mm	Free



A3

www.bomcan.com