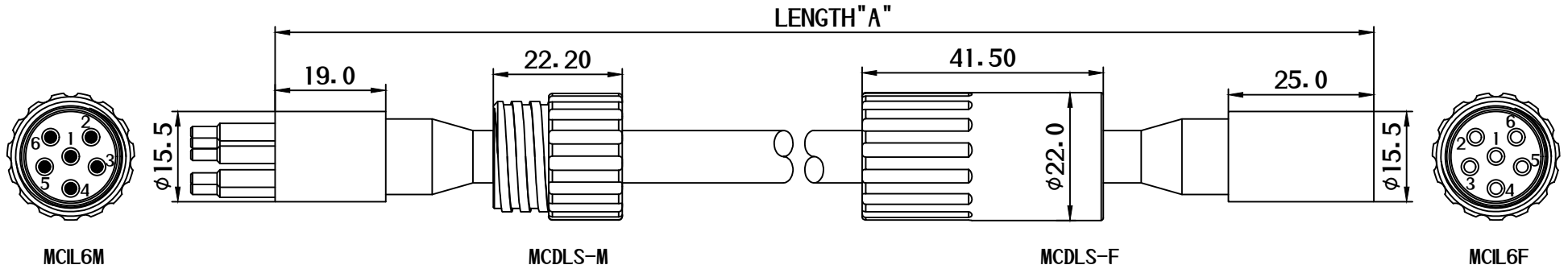


REV	ECN NO	DESCRIPTION	DATE	APPROVED
AA	-	NEW RELEASED	2019. 12. 01	CLARA



Connector specifications:
 Voltage rating: 300V DC/AC rms
 Current rating: 5A per contact(max 10A per connector)
 Insulation resistance: $\geq 200 \text{ M}\Omega$
 Contact resistance: $< 0.01 \text{ }\Omega$
 Durability: ≥ 500 Times Cycles.
 Temperature rating (water): -4°C to $+60^\circ\text{C}$
 Temperature rating (air): -40°C to $+60^\circ\text{C}$
 Storage temperature rating: -40°C to $+60^\circ\text{C}$
 Qualified pressure tested: 800bar, 11600psi, 80MPA
 (8 kilometers underwater)

Material specifications:
 Connector body: Chloroprene rubber
 Contacts: Male pins in gold plated beryllium copper
 Female sockets in gold plated brass
 Snap rings: Stainless steel
 O-rings: Nitrile rubber
 Locking sleeves: POM, Red

Cable specifications:
 20AWG 6Conductor, ODB.0mm, Chloroprene rubber cable, Black



This drawing contains information that is proprietary to BOMCAN and should not be used without written permission. Powered by bomcan.com

DESCRIPTION	MCIL6M TO MCIL6F MICRO UNDERWATER CONNECTOR CABLE ASSEMBLY			
DWG NO	MCIL6	BOMCAN PART No	MCIL6M-MCIL6F-L*	
DRAWN BY	CLARA 2019. 12. 01	CUSTOMER P/N	-	
CHECKED BY	CALEB 2019. 12. 01	SIZE: A4	SHEET	UNIT
APPROVED BY	BILL 2019. 12. 01	REV: AA	1 of 1	MM
			SCALE	Third angle projection
			FREE	