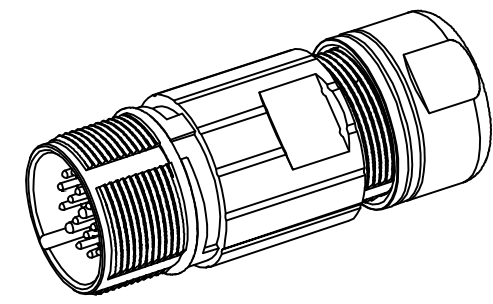
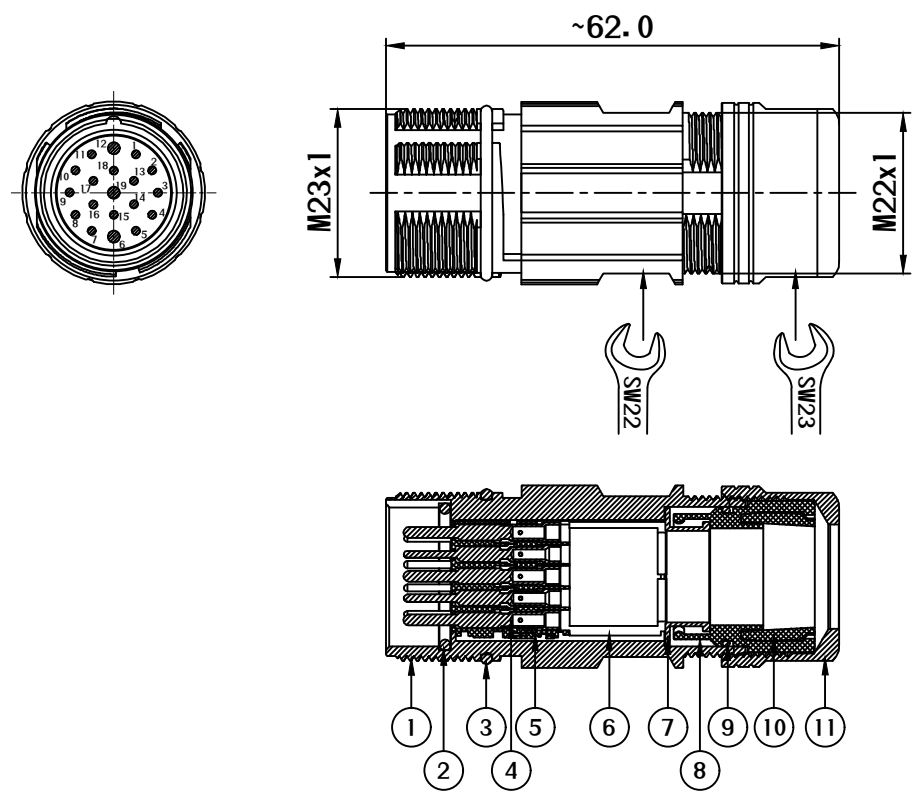


REV	ECN NO	DESCRIPTION	DATE	APPROVED
AA	-	NEW RELEASED	2020.03.25	CLARA

Customer drawing

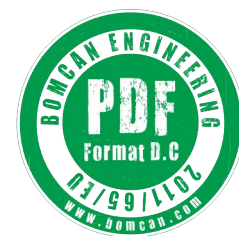


Connector Table 1

Bomcan Part No.	Coding & Pins	Plug Pin out	Applicable AWG	Rated Current	Rated Voltage
M23A06PM03ST	A Code 6 Pin		2.5mm ²	20A	250V AC/DC
M23A09PM03ST	A Code 9 Pin		1.5mm ² 2.5mm ²	8A 20A	250V AC/DC
M23A12PM03ST	A Code 12 Pin		1.0mm ²	8A	150V AC/DC
M23A17PM03ST	A Code 17 Pin		1.0mm ²	8A	150V AC/DC
M23A19PM03ST	A Code 19 Pin		1.0mm ² 1.5mm ²	8A 10A	150V AC/DC

- Material:**
1. M23 Metal Thread: Zinc Alloy, Nickel-Plated
 2. O-Ring: NBR, Black
 3. O-Ring: NBR, Black
 4. Contact: Copper Alloy, Gold-Plated
 5. Insulation: PA, Black
 6. Insulation Sleeve: PA, Black
 7. Clasp ring: Copper Alloy, Nickel-Plated
 8. O-Ring: NBR, Black
 9. Cable Clamp: PA, Black
 10. Cable Seal: NBR, Black
 11. Pressing Nut: Copper Alloy, Nickel-Plated

- Technical Data:**
1. Standard: DIN 43650
 2. Rated Voltage: See Table 1
 3. Rated Current: See Table 1
 4. Rated Temperature: -40°C~+125°C
 5. Durability: ≥500 Times Cycles
 6. Protection Degree: IP67 (Correct locking state)



UNMARKED TOLERANCES	
DIMENSIONS	TOLERANCE
x.	±1.0
x.x	±0.5
x.xx	±0.25
0 to 500	+15 / -0
< 501	+3%/-0 of length
ANGLES	
x°	±1°



This drawing contains information that is proprietary to BOMCAN and should not be used without written permission. Powered by bomcan.com

DESCRIPTION	M23 SIGNAL PLUG FIELD INSTALLATION MOTOR CONNECTOR		
DWG NO	M23AXXP03ST	BOMCAN PART No	M23AXXP03ST
DRAWN BY	CLARA 2020.03.25	CUSTOMER P/N	-
CHECKED BY	CALEB 2020.03.25	SIZE: A3	SHEET 1 of 1
APPROVED BY	BILL 2020.03.25	UNIT	mm
		SCALE	Free
		Third angle projection	

www.bomcan.com

A

B

C

D

E

F

A

B

C

D

E

F