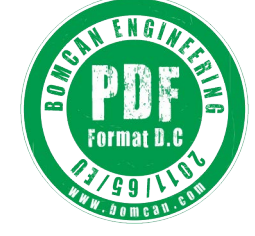
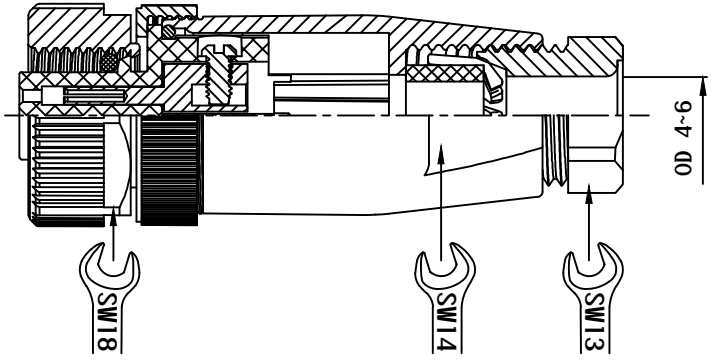
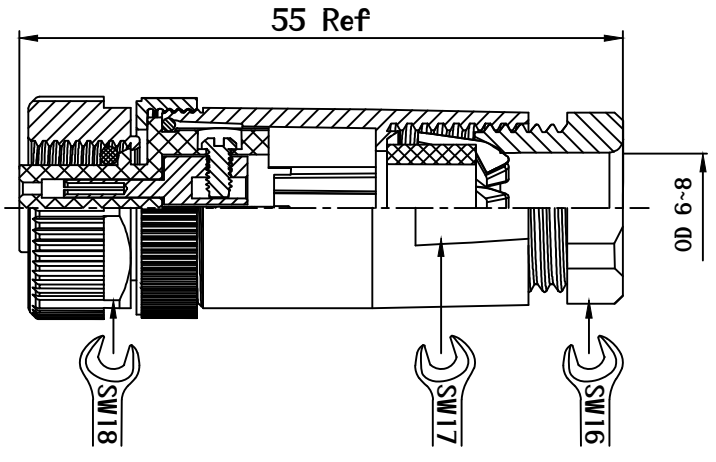
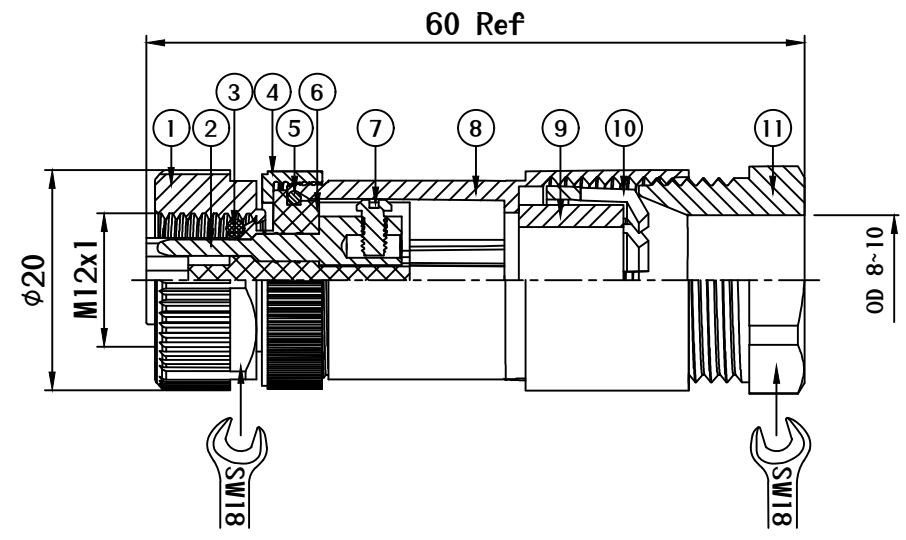
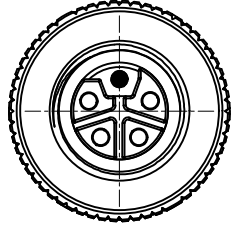
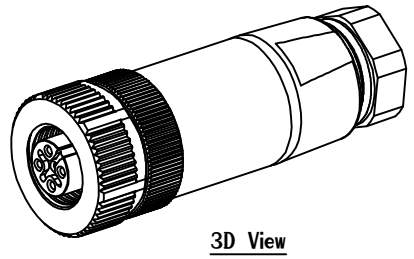


REV	ECN NO	DESCRIPTION	DATE	APPROVED
AA	-	NEW RELEASED	2020.03.25	CLARA

Customer drawings



Connector Table 1

Bomcan Part No.	Coding & Pins	Socket Pin out	Contact Size(mm)	Rated Current	Rated Voltage	Applicable cable OD	Accord design Standard
M12A04SP01ST	A Code		1.0	4A	250V/DC	4-6mm	IEC61076-2-101
M12A04SP02ST	4 Pin					6-8mm	
M12A05SP01ST	A Code		1.0	4A	60V/DC	4-6mm	IEC61076-2-101
M12A05SP02ST	5 Pin					6-8mm	
M12A08SP01ST	A Code		0.8	2A	30V/DC	4-6mm	IEC61076-2-101
M12A08SP02ST	8 Pin					6-8mm	
M12B05SP01ST	B Code		1.0	4A	60V/DC	4-6mm	IEC61076-2-101
M12B05SP02ST	5 Pin					6-8mm	
M12D04SP01ST	D Code		1.0	4A	250V/DC	4-6mm	IEC61076-2-101
M12D04SP02ST	4 Pin					6-8mm	
M12K05SP01ST	K Code		1.5	12A	630V/DC	8-10mm	IEC61076-2-111
M12L05SP01ST	L Code		1.5	16A	63V/DC	8-10mm	IEC61076-2-111
M12M06SP01ST	M Code		1.0	8A	630V/DC	8-10mm	IEC61076-2-111
M12S04SP01ST	S Code		1.5	12A	630V/DC	8-10mm	IEC61076-2-111
M12T04SP01ST	T Code		1.5	12A	63V/DC	8-10mm	IEC61076-2-111

Material:

1. M12 Metal Thread: Zinc Alloy, Plated Nickel
2. Contact: Copper Alloy, Plated Gold
3. O-Ring: Nitrile rubber, Black
4. Connection Nut: Nylon66, Black
5. O-Ring: Nitrile rubber, Black
6. Insulation Housing: Nylon66, Black
7. Screw: Carbon steel, Plated-Ni
8. Plastic Shell: Nylon66, Black
9. Cable Seal: Silicone, Black
10. Cable Clamp: Nylon66, Black
11. Pressing Nut: Nylon66, Black

Technical Data:

1. Standard: See Table 1
2. Rated Voltage: See Table 1
3. Rated Current: See Table 1
4. Rated Temperature:  $-40^{\circ}\text{C} \sim +80^{\circ}\text{C}$
5. Durability:  $\geq 500$  Times Cycles
6. Protection Degree: IP67 (Correct locking state)

UNMARKED TOLERANCES	
DIMENSIONS	TOLERANCE
x.	$\pm 1.0$
x.x	$\pm 0.5$
x.xx	$\pm 0.25$
0 to 500	$+15 / -0$
< 501	$+3\% / -0$ of length
ANGLES	
x°	$\pm 1^{\circ}$



This drawing contains information that is proprietary to BOMCAN and should not be used without written permission. Powered by bomcan.com

DESCRIPTION	M12 CONNECTOR SOCKET FIELD INSTALLATION PLASTIC SHELL STRAIGHT		
DWG NO	M12XXXSPXXST	BOMCAN PART No	M12XXXSPXXST
DRAWN BY	CLARA 2020.03.25	CUSTOMER P/N	-
CHECKED BY	CALEB 2020.03.25	SIZE: A3	SHEET 1 of 1
APPROVED BY	BILL 2020.03.25	REV: AA	UNIT mm
		SCALE	Free
		Third angle projection	

www.bomcan.com

A3