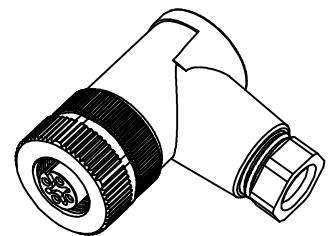
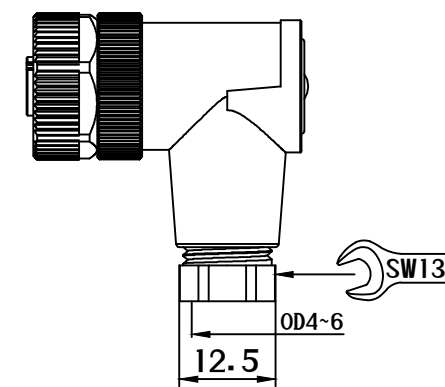
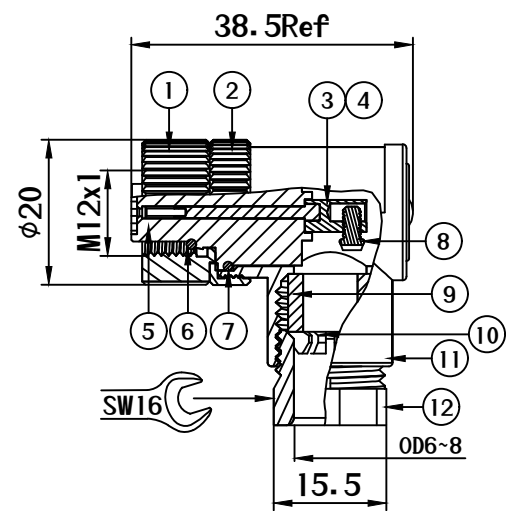
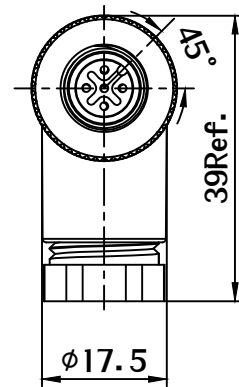


REV	ECN NO	DESCRIPTION	DATE	APPROVED
AA	-	NEW RELEASED	2020.03.25	CLARA



3D View



Connector Table 1

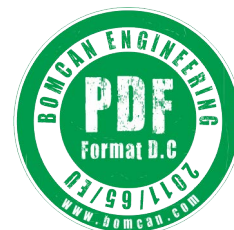
Bomcan Part No.	Coding & Pins	Socket Pin out	Contact Size(mm)	Rated Current	Rated Voltage	Applicable cable OD	Accord design Standard
M12A04SP04RA	A Code		1.0	4A	250V/DC	4-6mm	IEC61076-2-101
M12A04SP02RA	4 Pin					6-8mm	
M12A05SP01RA	A Code		1.0	4A	60V/DC	4-6mm	IEC61076-2-101
M12A05SP02RA	5 Pin					6-8mm	
M12A08SP01RA	A Code		0.8	2A	30V/DC	4-6mm	IEC61076-2-101
M12A08SP02RA	8 Pin					6-8mm	
M12B05SP01RA	B Code		1.0	4A	60V/DC	4-6mm	IEC61076-2-101
M12B05SP02RA	5 Pin					6-8mm	
M12D04SP01RA	D Code		1.0	4A	250V/DC	4-6mm	IEC61076-2-101
M12D04SP02RA	4 Pin					6-8mm	
M12K05SP01RA	K Code		1.5	12A	630V/DC	8-10mm	IEC61076-2-111
M12L05SP01RA	L Code		1.5	16A	63V/DC	8-10mm	IEC61076-2-111
M12M06SP01RA	M Code		1.0	8A	630V/DC	8-10mm	IEC61076-2-111
M12S04SP01RA	S Code		1.5	12A	630V/DC	8-10mm	IEC61076-2-111
M12T04SP01RA	T Code		1.5	12A	63V/DC	8-10mm	IEC61076-2-111

Material:

- M12 Metal Thread: Copper Alloy, Plated Nickel
- Connect Nut: Nylon66, Black
- Contact: Copper Alloy, Plated Gold
- Contact Insulation Sleeve: TPU, Black
- Insulation: Nylon66, Black
- O-Ring: NBR, Black
- O-Ring: NBR, Black
- Screw: Stainless iron
- Cable Seal: NBR, Black
- Cable Clamp: Nylon66, White
- Shell Housing: Nylon66, Black
- Pressing Nut: Nylon66, Black

Technical Data:

- Standard: See Table 1
- Rated Voltage: See Table 1
- Rated Current: See Table 1
- Rated Temperature: -40°C~+80°C
- Durability: ≥500 Times Cycles
- Protection Degree: IP67 (Correct locking state)



UNMARKED TOLERANCES	
DIMENSIONS	TOLERANCE
x.	±1.0
x.x	±0.5
x.xx	±0.25
0 to 500	+15 / -0
< 501	+3%/-0 of length
ANGLES	
x°	±1°



This drawing contains information that is proprietary to BOMCAN and should not be used without written permission. Powered by bomcan.com

DESCRIPTION	M12 CONNECTOR SOCKET FIELD INSTALLATION PLASTIC SHELL ANGLED		
DWG NO	M12XXXSPXXRA	BOMCAN PART No	M12XXXSPXXRA
DRAWN BY	CLARA 2020.03.25	CUSTOMER P/N	-
CHECKED BY	CALEB 2020.03.25	SIZE: A3	SHEET 1 of 1
APPROVED BY	BILL 2020.03.25	UNIT	mm
		SCALE	Free
		Third angle projection	

www.bomcan.com

A
B
C
D
E
F

A
B
C
D
E
F