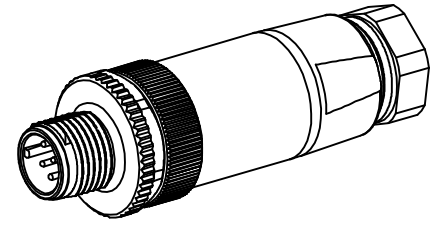
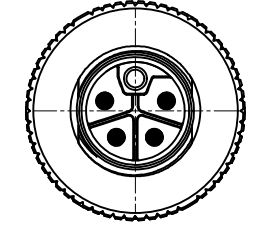


REV	ECN NO	DESCRIPTION	DATE	APPROVED
AA	-	NEW RELEASED	2020.03.25	CLARA

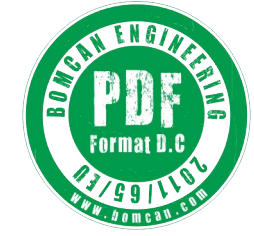
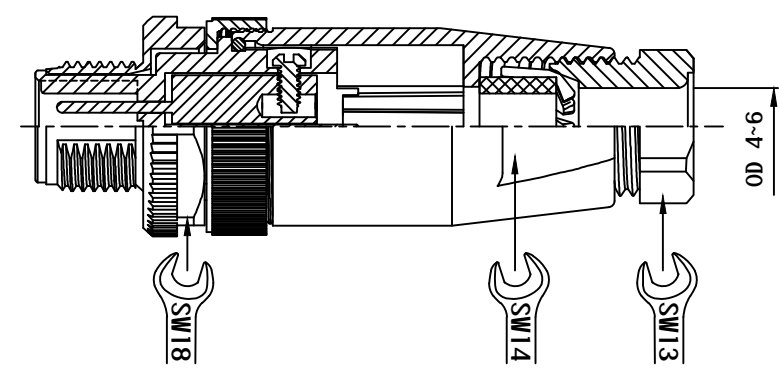
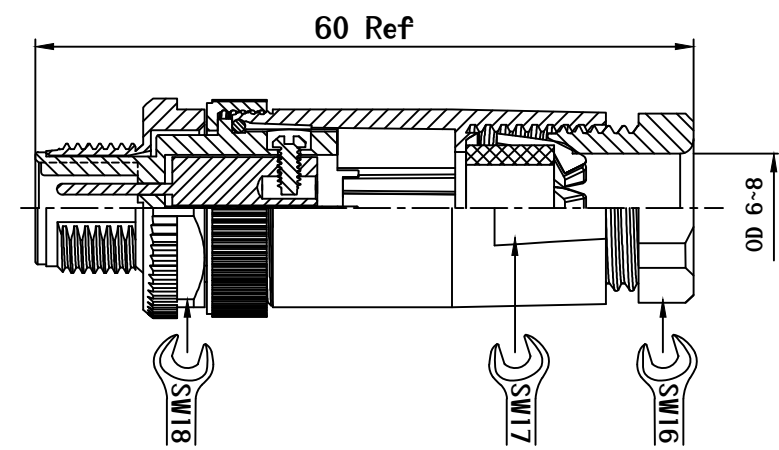
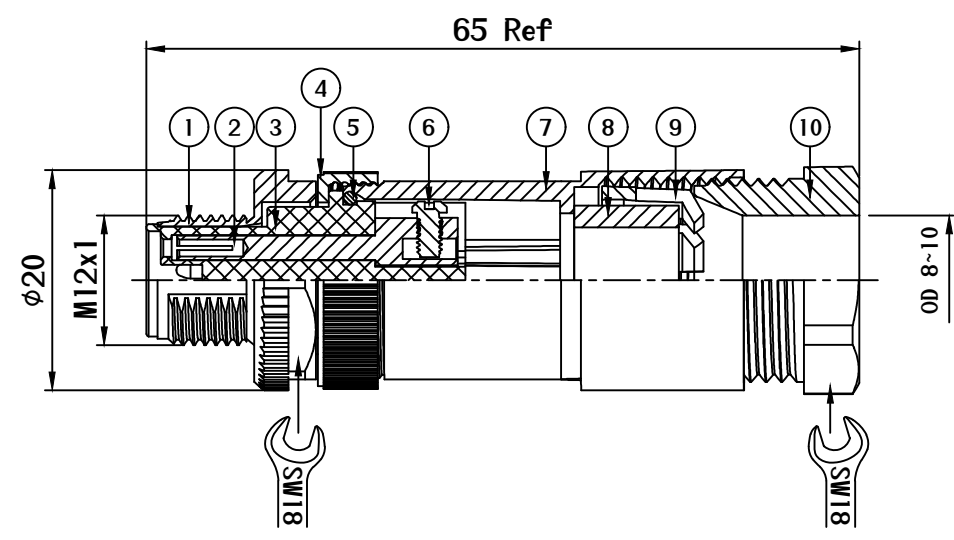
Customer drawings



3D View



View A  
See Table 1



**Material:**

1. M12 Metal Thread: Zinc Alloy, Plated Nickel
2. Contact: Copper Alloy, Plated Gold
3. Insulation Housing: Nylon66, Black
4. Connection Nut: Nylon66, Black
5. O-Ring: Nitrile rubber, Black
6. Screw: Carbon steel, Plated-Ni
7. Plastic Shell: Nylon66, Black
8. Cable Seal: Silicone, Black
9. Cable Clamp: Nylon66, Black
10. Pressing Nut: Nylon66, Black

**Technical Data:**

1. Standard: See Table 1
2. Rated Voltage: See Table 1
3. Rated Current: See Table 1
4. Rated Temperature:  $-40^{\circ}\text{C} \sim +80^{\circ}\text{C}$
5. Durability:  $\geq 500$  Times Cycles
6. Protection Degree: IP67 (Correct locking state)

Connector Table 1

Bomcan Part No.	Coding & Pins	Plug Pin out	Contact Size(mm)	Rated Current	Rated Voltage	Applicable cable OD	Accord design Standard
M12A04PP01ST	A Code		1.0	4A	250V/DC	4~6mm	IEC61076-2-101
M12A04PP02ST	4 Pin					6~8mm	
M12A05PP01ST	A Code		1.0	4A	60V/DC	4~6mm	IEC61076-2-101
M12A05PP02ST	5 Pin					6~8mm	
M12A08PP01ST	A Code		0.8	2A	30V/DC	4~6mm	IEC61076-2-101
M12A08PP02ST	8 Pin					6~8mm	
M12B05PP01ST	B Code		1.0	4A	60V/DC	4~6mm	IEC61076-2-101
M12B05PP02ST	5 Pin					6~8mm	
M12D04PP01ST	D Code		1.0	4A	250V/DC	4~6mm	IEC61076-2-101
M12D04PP02ST	4 Pin					6~8mm	
M12K05PP01ST	K Code		1.5	12A	630V/DC	8~10mm	IEC61076-2-111
M12L05PP01ST	L Code		1.5	16A	63V/DC	8~10mm	IEC61076-2-111
M12M06PP01ST	M Code		1.0	8A	630V/DC	8~10mm	IEC61076-2-111
M12S04PP01ST	S Code		1.5	12A	630V/DC	8~10mm	IEC61076-2-111
M12T04PP01ST	T Code		1.5	12A	63V/DC	8~10mm	IEC61076-2-111

UNMARKED TOLERANCES	
DIMENSIONS	TOLERANCE
x.	$\pm 1.0$
x.x	$\pm 0.5$
x.xx	$\pm 0.25$
0 to 500	$+15 / -0$
< 501	$+3\% / -0$ of length
ANGLES	
x°	$\pm 1^{\circ}$



This drawing contains information that is proprietary to BOMCAN and should not be used without written permission. Powered by bomcan.com

DESCRIPTION	M12 CONNECTOR PLUG FIELD INSTALLATION PLASTIC SHELL STRAIGHT			
DWG NO	M12XXXPPXXST	BOMCAN PART No	M12XXXPPXXST	
DRAWN BY	CLARA 2020.03.25	CUSTOMER P/N	-	
CHECKED BY	CALEB 2020.03.25	SIZE: A3	SHEET	UNIT
APPROVED BY	BILL 2020.03.25	REV: AA	1 of 1	mm
		SCALE	Free	Third angle projection

www.bomcan.com

A3