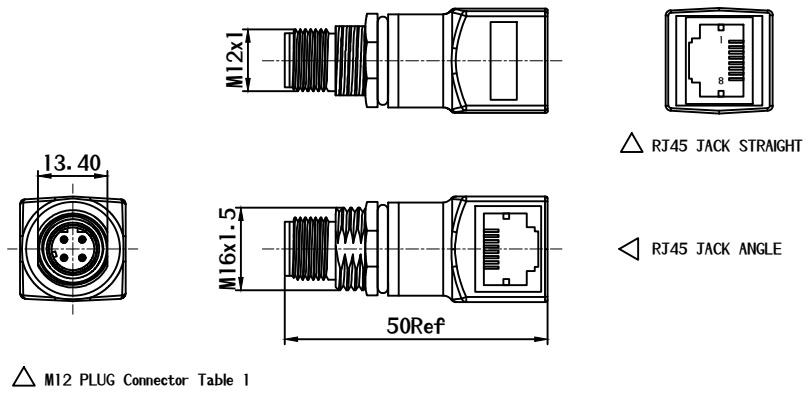


REV	ECN NO	DESCRIPTION	DATE	APPROVED
AA	-	NEW RELEASED	2020.03.25	CLARA



Material specifications
 Insulation Housing: PA66, Black
 Contact: Copper Alloy, Gold-Plated
 Locking Nut: Copper Alloy, Nickel-Plated
 Overmolding: Black PVC

- Technical Data:**
- Standard: See Table 1
 - Rated Voltage: See Table 1
 - Rated Current: See Table 1
 - Rated Temperature: -40°C~+85°C
 - Durability: ≥500 Times Cycles
 - Protection Degree: IP67 (Correct locking state)



Connector Table 1

Bomcan Part No.	Coding & Pins	Plug Pin out	Socket Pin out	Contact Size (mm)	Rated Current	Rated Voltage	Accord design Standard
M12A04AP01ST	A Code 4 Pin			1.0	4A	250V/DC	IEC61076-2-101
M12A04AS01ST							
M12A04AP01RA							
M12A04AS01RA							
M12A05AP01ST	A Code 5 Pin			1.0	4A	60V/DC	IEC61076-2-101
M12A05AS01ST							
M12A05AP01RA							
M12A05AS01RA							
M12A08AP01ST	A Code 8 Pin			1.0	2A	30V/DC	IEC61076-2-101
M12A08AS01ST							
M12A08AP01RA							
M12A08AS01RA							
M12D04AP01ST	D Code 4 Pin			0.8	4A	250V/DC	IEC61076-2-101
M12D04AS01ST							
M12D04AP01RA							
M12D04AS01RA							
M12X08AP01ST	X Code 8 Pin			0.8	0.5A	60V/DC	IEC61076-2-109
M12X08AS01ST							
M12X08AP01RA							
M12X08AS01RA							

BOMCAN		This drawing contains information that is proprietary to BOMCAN and should not be used without written permission. Powered by bomcan.com				
DESCRIPTION	M12 PLUG CONNECTOR/RJ45 JACK SOCKET ADAPTER					
DWG NO	M12XXXXXXX	BOMCAN PART No	-			
DRAWN BY	CLARA 2020.03.25	CUSTOMER P/N	-			
CHECKED BY	CALEB 2020.03.25	SIZE: A3	SHEET	UNIT	SCALE	
APPROVED BY	BILL 2020.03.25	REV: AA	1 of 1	mm	Free	
					Third angle projection	