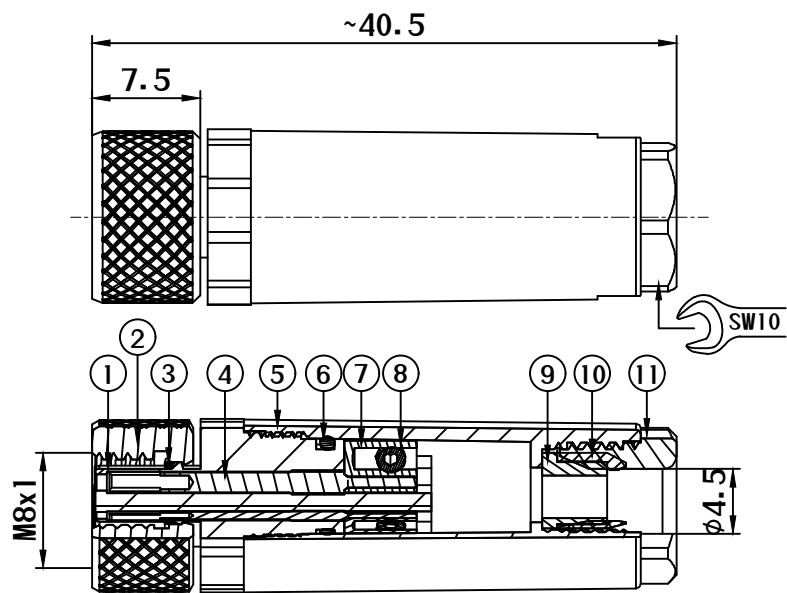
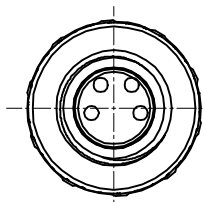
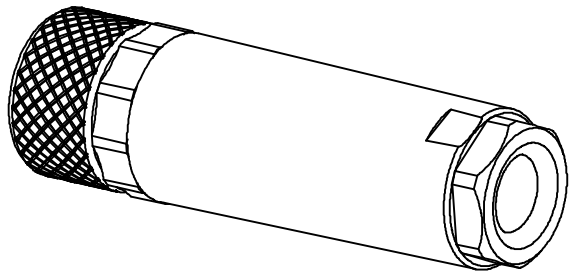


REV	ECN NO	DESCRIPTION	DATE	APPROVED
AA	-	NEW RELEASED	2015. 12. 01	CLARA



Material:

1. Insulation: PA, Black
2. M8 Metal Thread: Copper Alloy, Nickel-Plated
3. O-Ring: NBR, Black
4. Contact: Copper Alloy, Gold-Plated
5. Shell: PA, Black
6. O-Ring: NBR, Black
7. Connect Contact: Copper Alloy, Gold-Plated
8. Screw: Stainless iron
9. Seal Gasket: Silicon, Black
10. Cable Clamp: PA, Black
11. Pressing Nut: PA, Black

Technical Data:

1. Standard: IEC61076-2-104
2. Rated Voltage: 60V DC
3. Rated Current: 4A
4. Rated Temperature: -40°C~+85°C
5. Durability: ≥100 Times Cycles
6. Protection Degree: IP67 (Correct locking state)
7. Applicable Cable Diameter: φ3~4.5mm



Connector Table 1

Bomcan Part No.	Coding & Pins	Socket Pin out	Contact Size(mm)	Rated Current	Rated Voltage
M08A03SP01ST	A Code 3 Pin		1.0	4A	60V/DC
M08A04SP01ST	A Code 4 Pin		1.0	4A	60V/DC



This drawing contains information that is proprietary to BOMCAN and should not be used without written permission. Powered by bomcan.com

DESCRIPTION	M8 SENSOR CONNECTOR SOCKET FIELD ASSEMBLY				
DWG NO	M08AXXSP01ST	BOMCAN PART No	M08AXXSP01ST		
DRAWN BY	CLARA 2015. 12. 01	CUSTOMER P/N	-		
CHECKED BY	CALEB 2015. 12. 01	SIZE: A4	SHEET	UNIT	SCALE
APPROVED BY	BILL 2015. 12. 01	REV: AA	1 of 1	MM	FREE
					Third angle projection